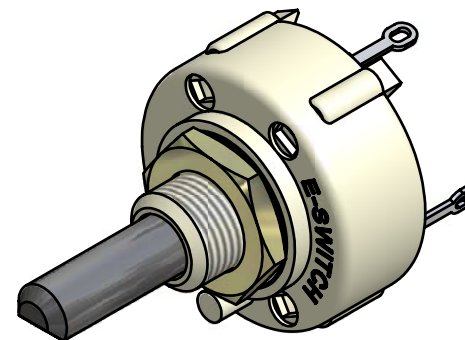
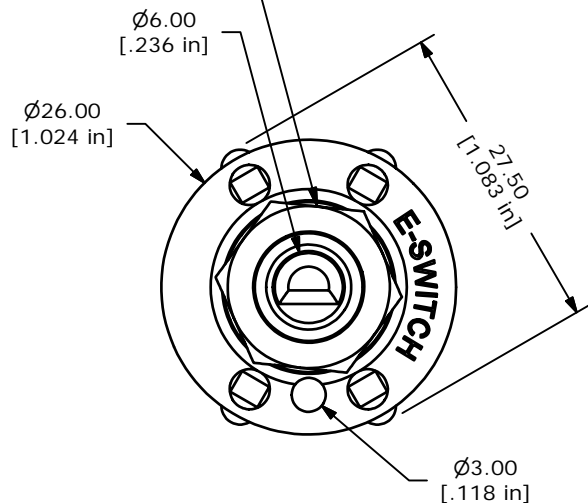
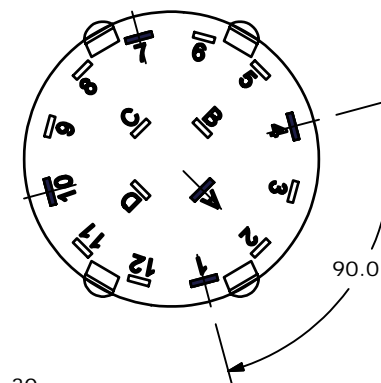
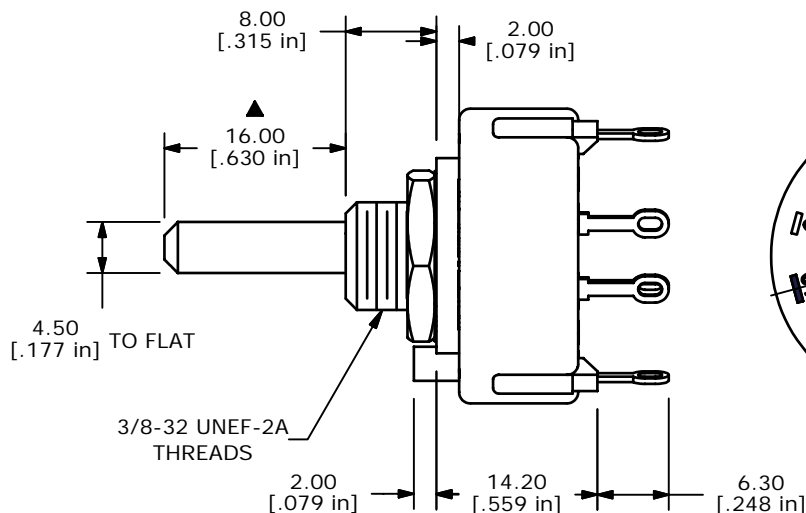


CONTACT CONFIGURATION  
TIMING (BBM) NON-SHORTING

▲  
HARDWARE SUPPLIED  
ON SWITCH



ISOMETRIC



- NOTE:
1. ALL DIMENSIONS IN MM[INCH].
  2. GENERAL TOLERANCE: X.X=±0.4  
X.XX=±0.25
  3. TERM. NOS. FOR REFERENCE ONLY.
  4. CONTACT MATERIAL: SILVER
  5. CONTACT RATING: 0.3A, 125VAC
  6. OPERATING FORCE: 800 ± 300gm-cm
  7. OPERATING TEMP: -30°C TO 85°C
  - ▲ 8. CIRCUIT DP: 4 POSITION 90° INDEX,  
CONTINUOUS ROTATION
  9. DIELECTRIC STRENGTH: 500VAC 1 min.
  - ▲ 10. HARDWARE SUPPLIED ON SWITCH:  
LOCKWASHER, HEXNUT
  11. ▲ DENOTES CRITICAL PARAMETER.
  12. 2002/95/EC (ROHS) COMPLIANT

**E-SWITCH®**

B	16024	UPDATE NOTES AND DIMS	5/16/06	CT
A	16004	NEW PART RELEASE	5/5/06	CT
REV	PCR NO	DESCRIPTION	DATE	BY

TITLE KC58 Special 01NLS				
SCALE	DATE	DR	DWG	REV
1.5:1	5/5/2006	CT	G510913	B

THE INFORMATION CONTAINED IN THIS DOCUMENT IS PROPRIETARY  
TO E-SWITCH AND IS NOT TO BE COPIED OR TRANSFERRED